



Installation instructions, accessories

Volvo Car Corporation Gothenburg, Sweden

Instruction No	Version	Part. No.
31399385	1.1	31373745

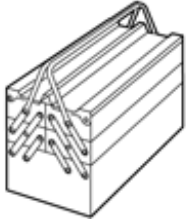
Steering wheel leather heated



Installation instructions, accessories

Volvo Car Corporation Gothenburg, Sweden

Equipment



IMG-345497

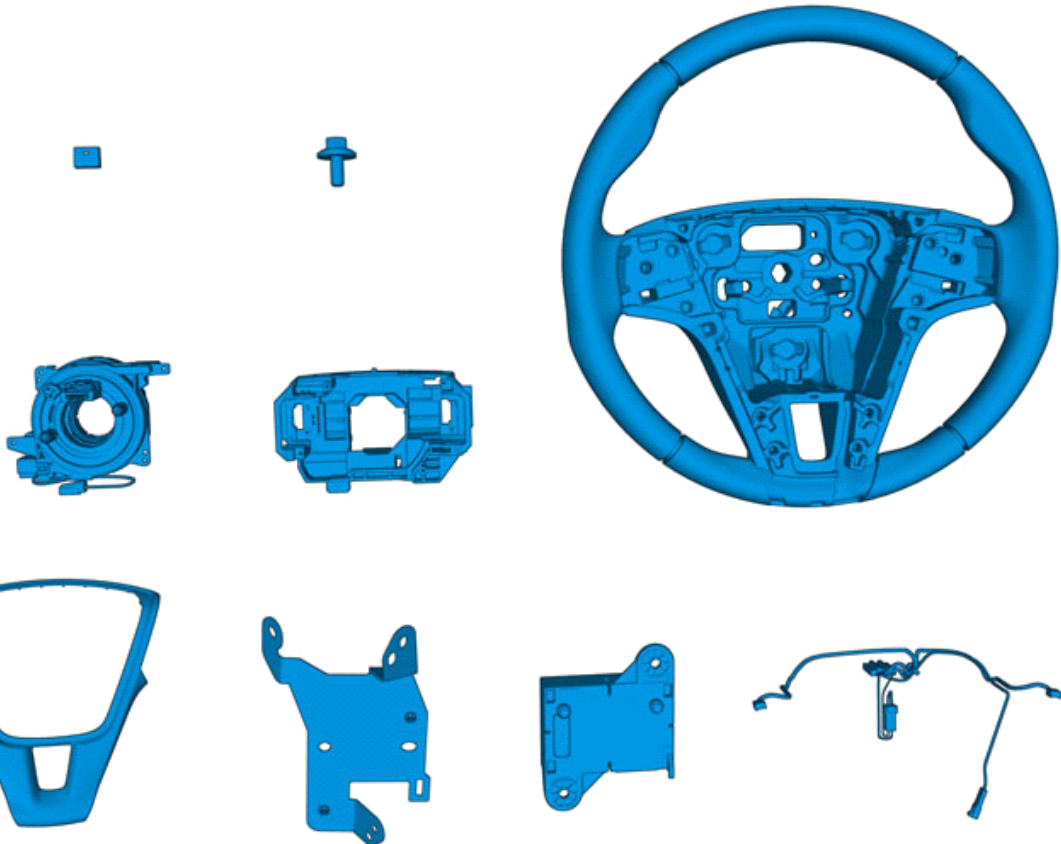


IMG-239664

Nm
lbf.ft



IMG-239667



IMG-378917



Installation instructions, accessories

Volvo Car Corporation Gothenburg, Sweden

Information

1

Read through all of the instructions before starting installation.

Notifications and warning texts are for your safety and to minimise the risk of something breaking during installation.

Ensure that all tools stated in the instructions are available before starting installation.

Certain steps in the instructions are only presented in the form of images. Explanatory text is also given for more complicated steps.

In the event of any problems with the instructions or the accessory, contact your local Volvo dealer.

Further information

2

These installation instructions show installation on left hand drive cars.

3

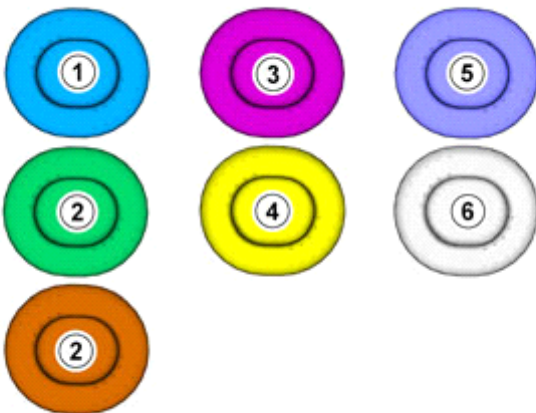
When installing on right-hand drive cars, perform the procedures on the opposite side and/or mirrored.

4

Where the procedure differs, the right-hand version is also shown with text and image.

Color symbols

5



IMG-363036

Note!

This colour chart displays (in colour print and electronic version) the importance of the different colours used in the images of the method steps.

1. Used for focused component, the component with which you will do something.
2. Used as extra colors when you need to show or differentiate additional parts.
3. Used for attachments that are to be removed/installed. May be screws, clips, connectors, etc.
4. Used when the component is not fully removed from the vehicle but only hung to the side.
5. Used for standard tools and special tools.



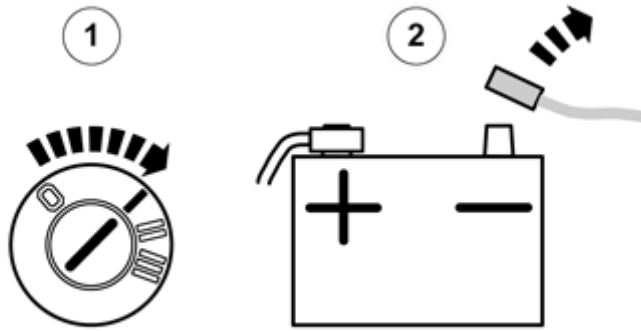
Installation instructions, accessories

Volvo Car Corporation Gothenburg, Sweden

6. Used as background color for vehicle components.

Removal

6



Warning!

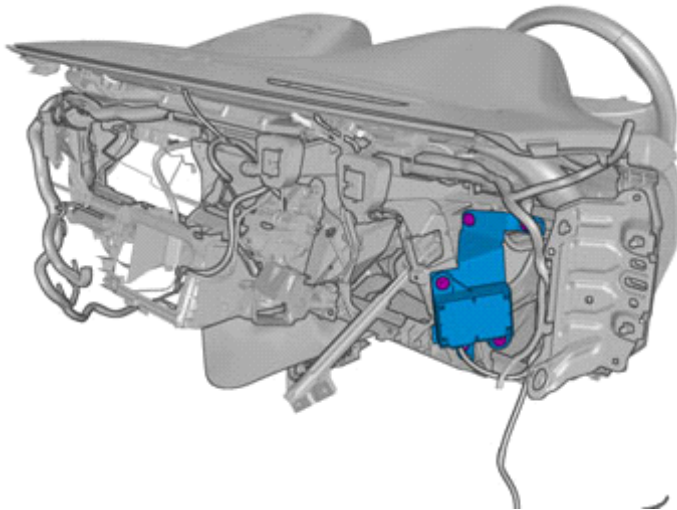
The supplemental restraint system (SRS) is active for a certain length of time after the power supply has been disconnected. Wait for a minimum of 30 seconds before disconnecting or removing any SRS components.

1. Turn on the ignition.
2. Remove the battery's negative cable.

IMG-332180

Left hand drive vehicles

7



Note!

Orientation view

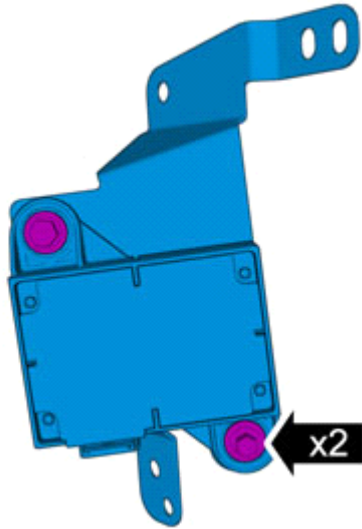
IMG-379140



Installation instructions, accessories

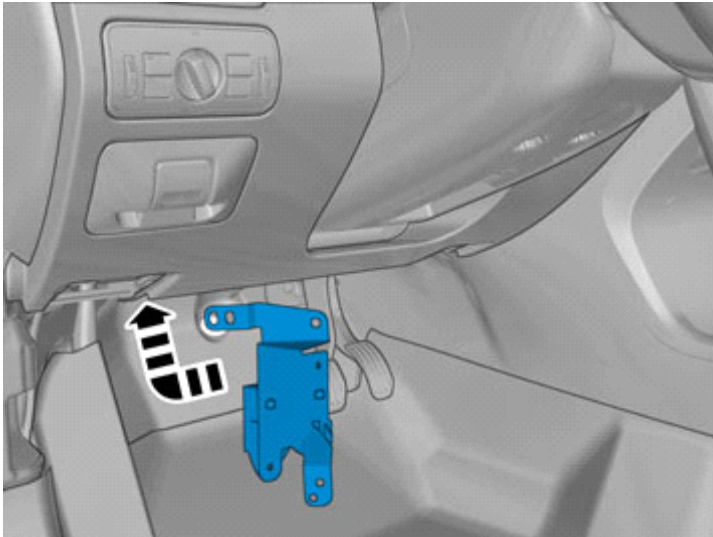
Volvo Car Corporation Gothenburg, Sweden

8



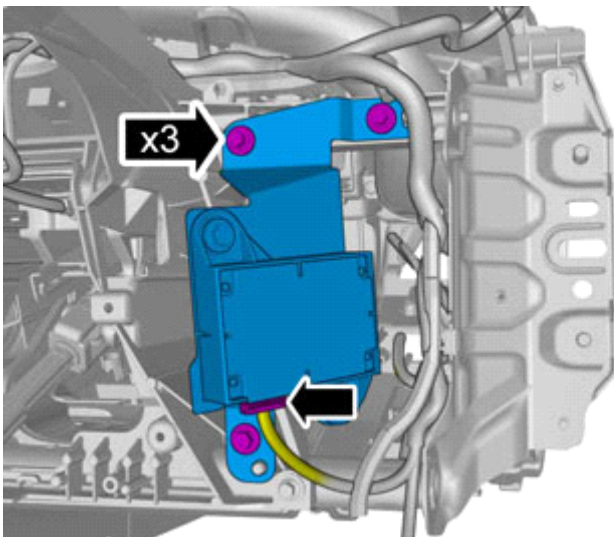
IMG-379141

9



IMG-379142

10



IMG-379143

Install the screws.

Locate the pre-routed connector.

Connect the connector.

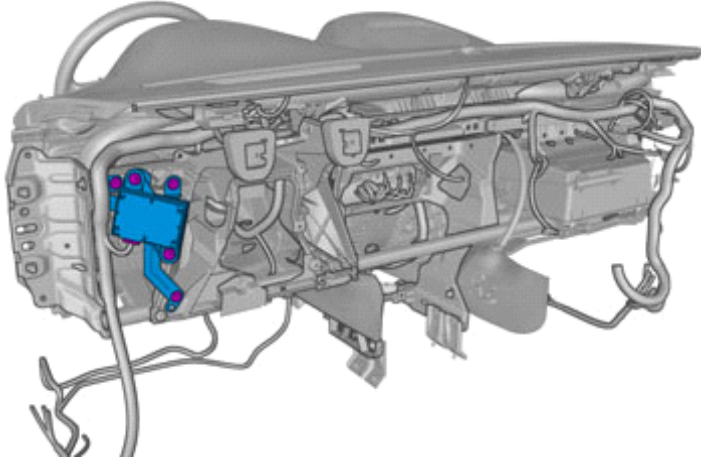


Installation instructions, accessories

Volvo Car Corporation Gothenburg, Sweden

Right-hand drive vehicles

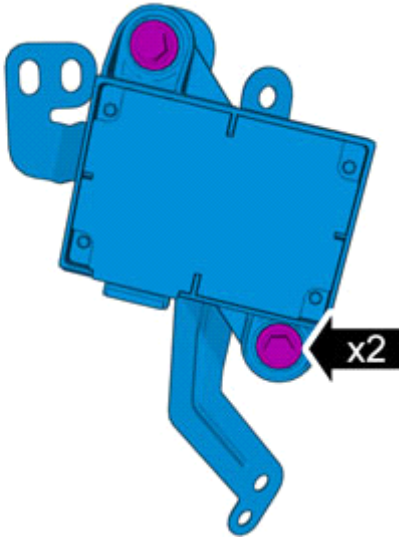
11



IMG-379144

Note!
Orientation view

12



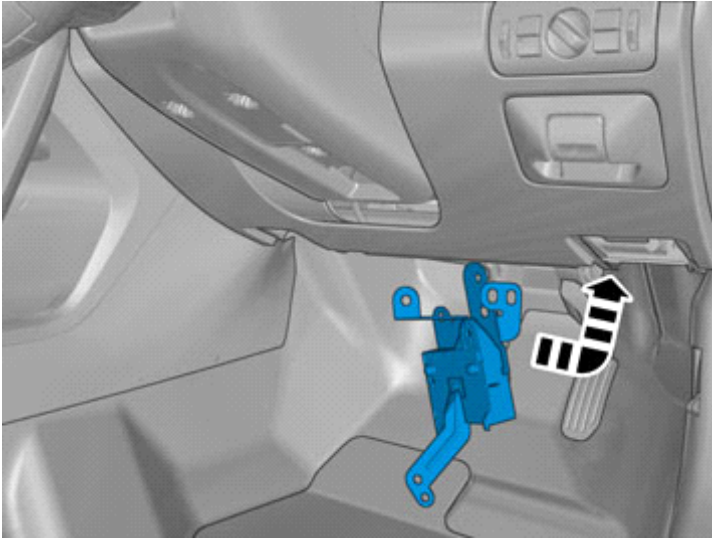
IMG-379145



Installation instructions, accessories

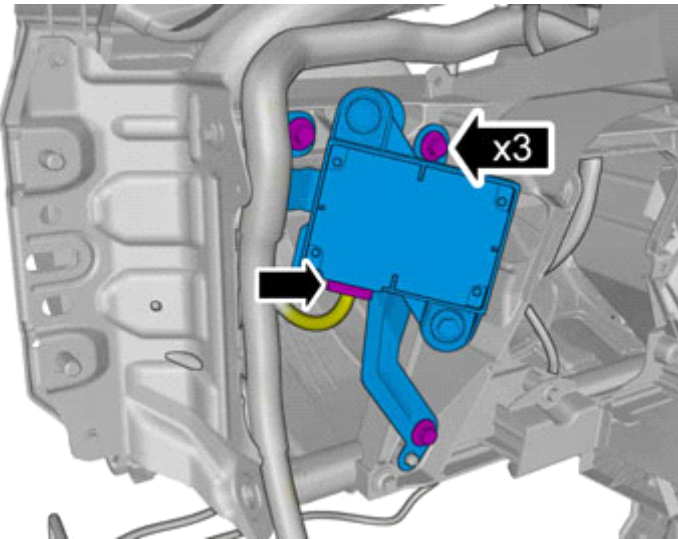
Volvo Car Corporation Gothenburg, Sweden

13



IMG-379146

14



IMG-379147

Install the screws.

Locate the pre-routed connector.

Connect the connector.

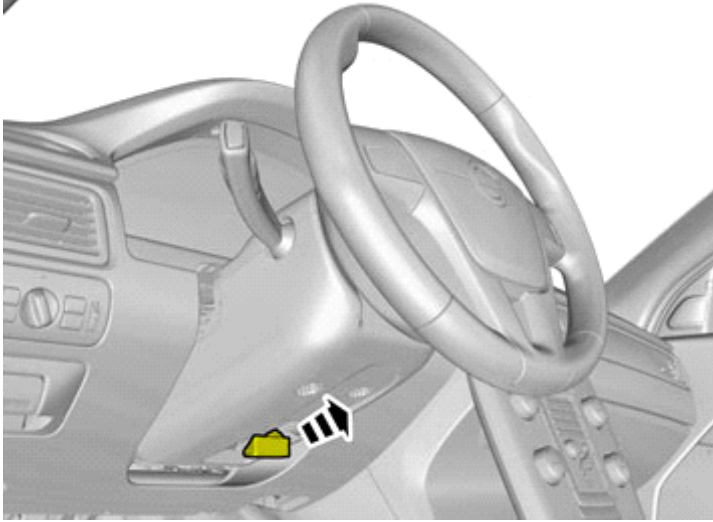
All vehicles



Installation instructions, accessories

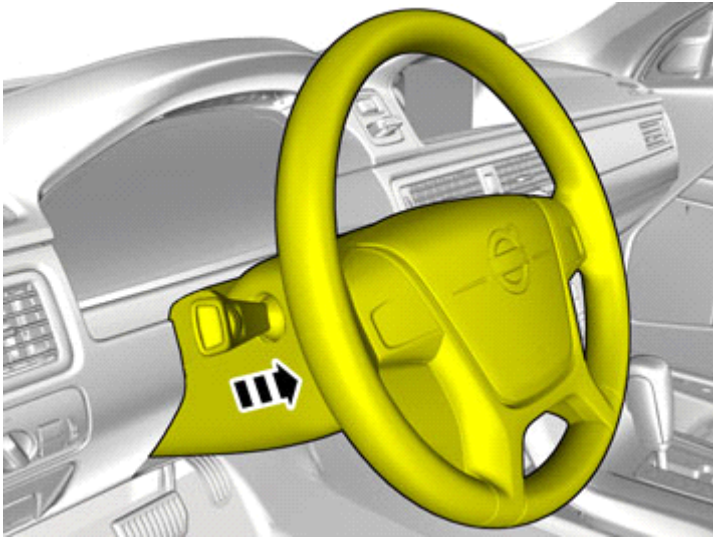
Volvo Car Corporation Gothenburg, Sweden

15



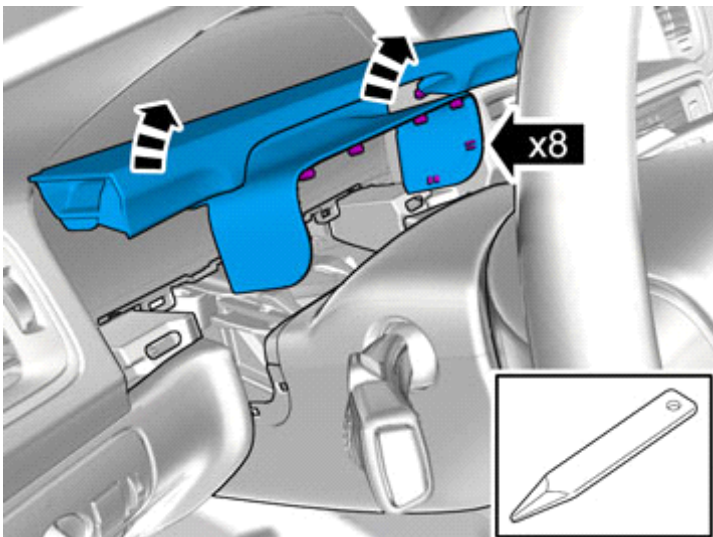
IMG-344717

16



IMG-344721

17



IMG-344722

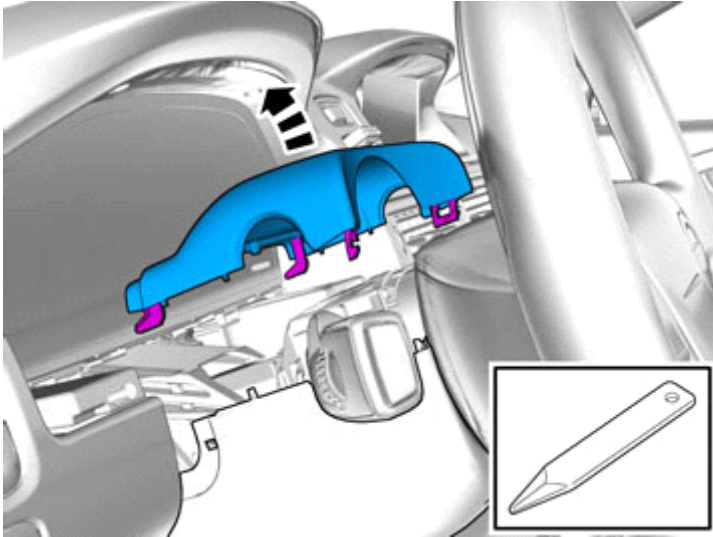
Remove the panel.



Installation instructions, accessories

Volvo Car Corporation Gothenburg, Sweden

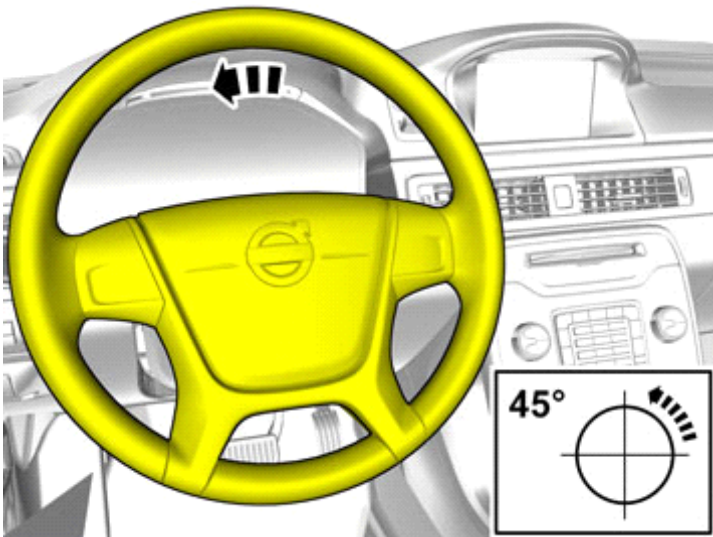
18



IMG-344723

Remove the panel.

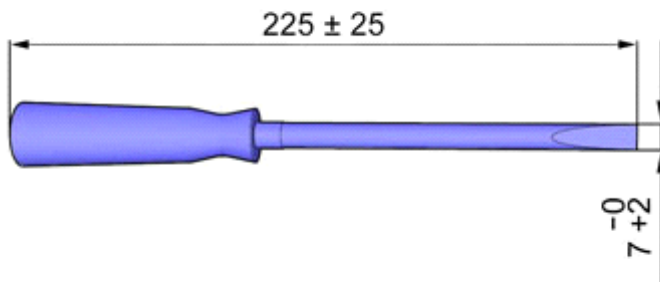
19



IMG-344724

20

mm



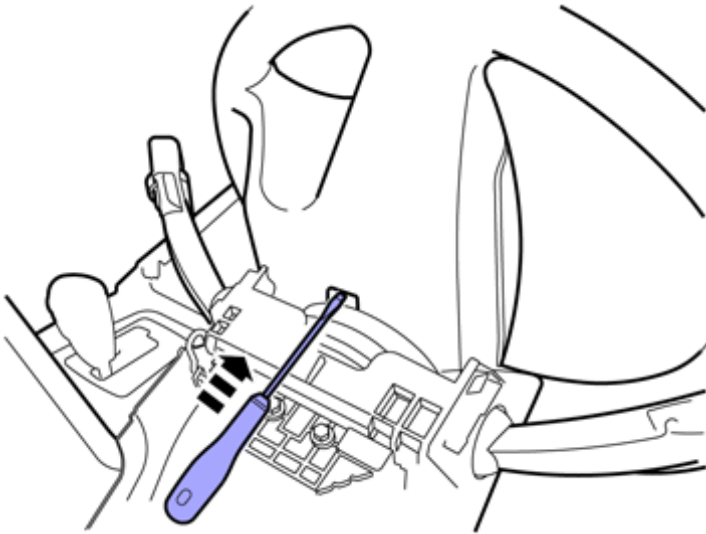
IMG-337683



Installation instructions, accessories

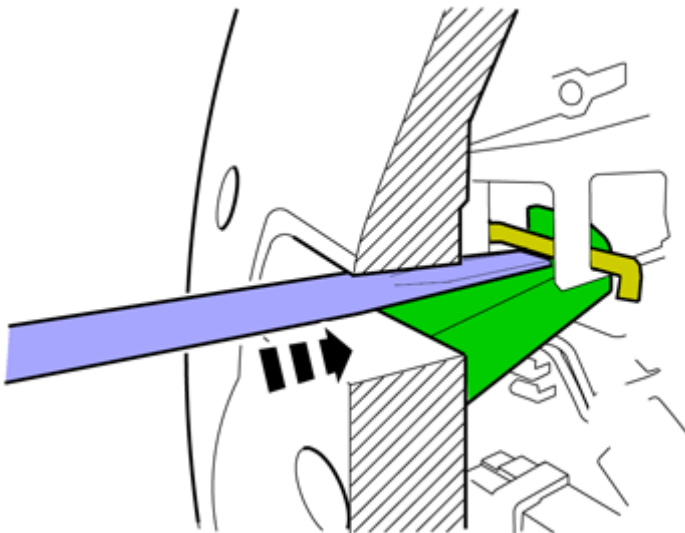
Volvo Car Corporation Gothenburg, Sweden

21



IMG-344725

22



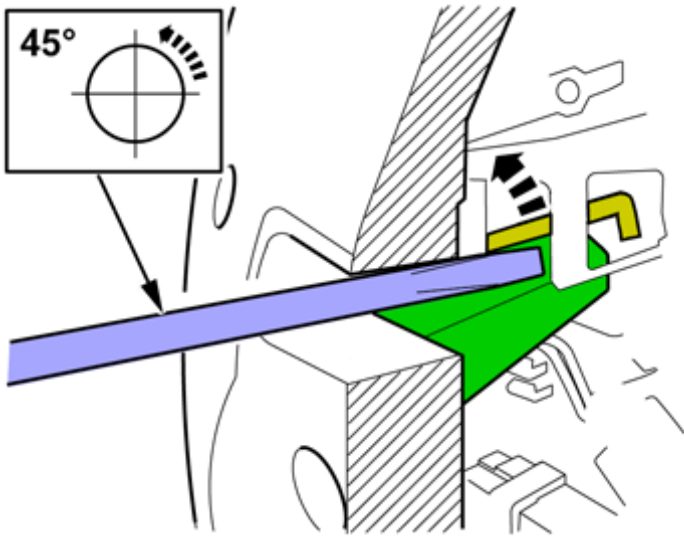
IMG-344726



Installation instructions, accessories

Volvo Car Corporation Gothenburg, Sweden

23



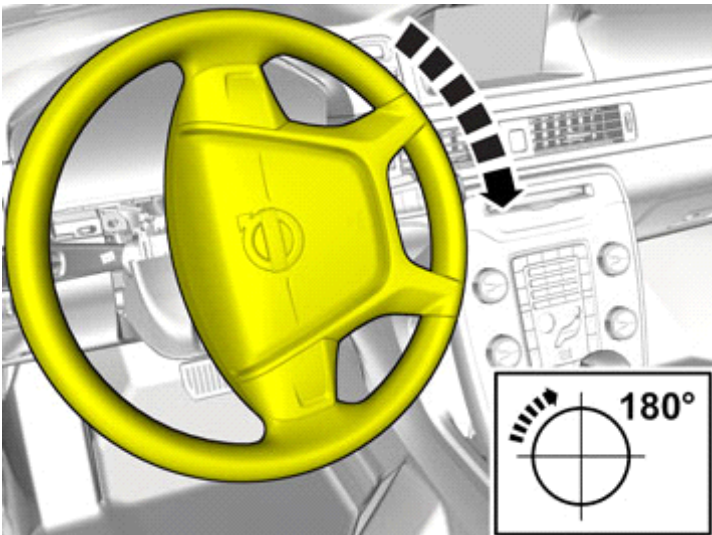
IMG-344727

24



IMG-344728

25



IMG-344763



Installation instructions, accessories

Volvo Car Corporation Gothenburg, Sweden

26

Repeat the steps when removing on opposite side.

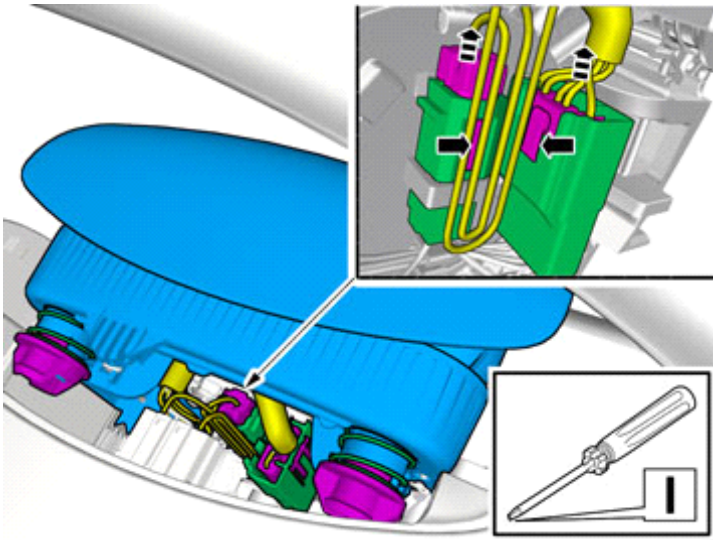
27



IMG-345493

Turn the steering wheel into neutral position.

28



IMG-344730

Release the connector's catch.

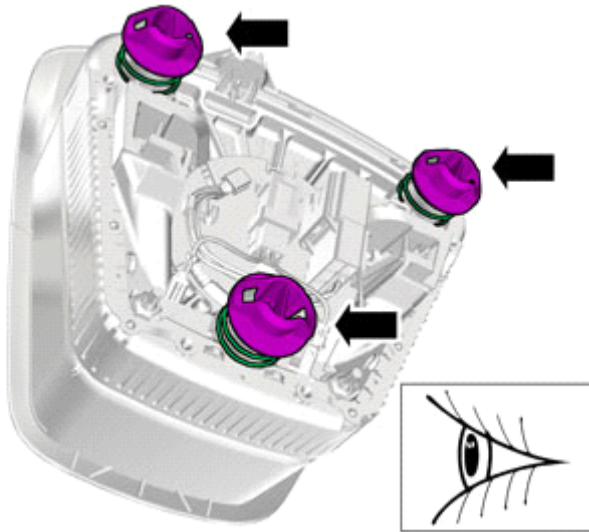
Disconnect the connectors.



Installation instructions, accessories

Volvo Car Corporation Gothenburg, Sweden

29



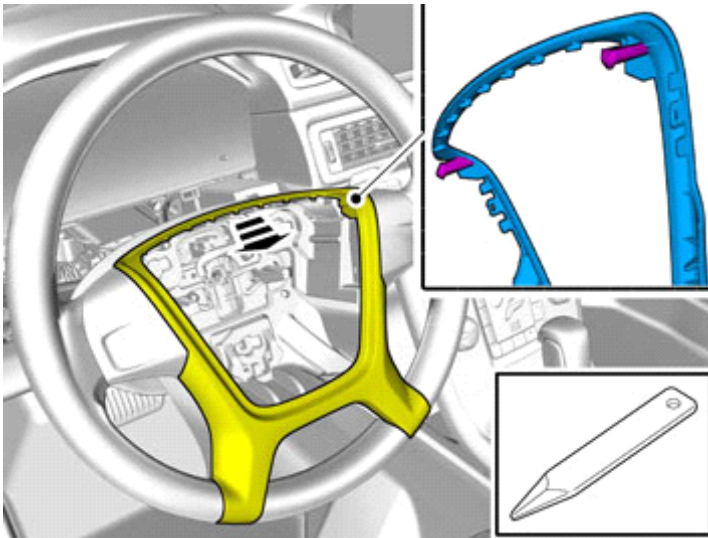
IMG-344731

30

Warning!

Place the airbag module with the front side facing up in a safe storage area during work.

31



IMG-344732

Note!

This step requires considerable force.

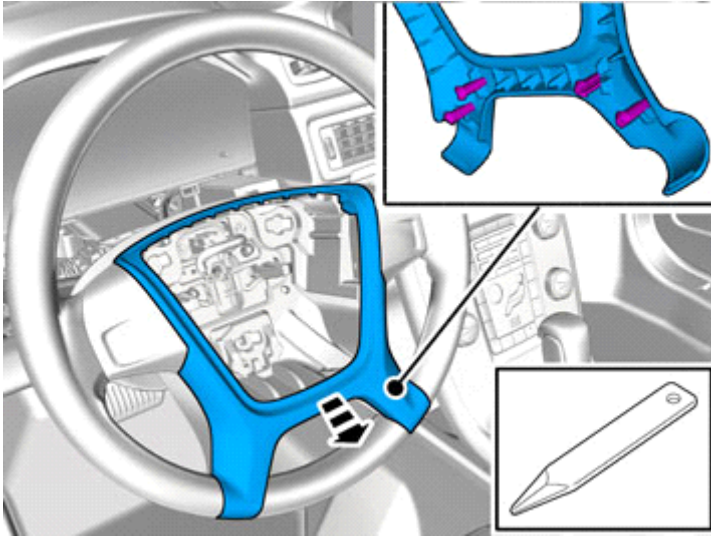
Detach the panel.



Installation instructions, accessories

Volvo Car Corporation Gothenburg, Sweden

32



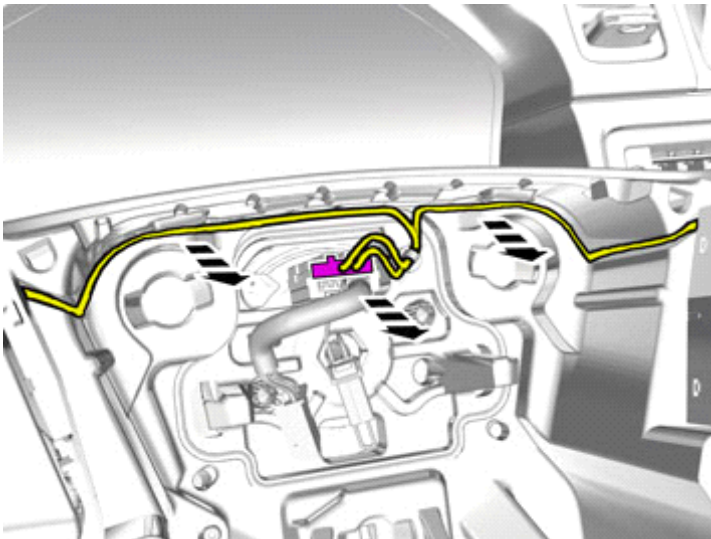
IMG-344762

Note!

This step requires considerable force.

Remove the panel.

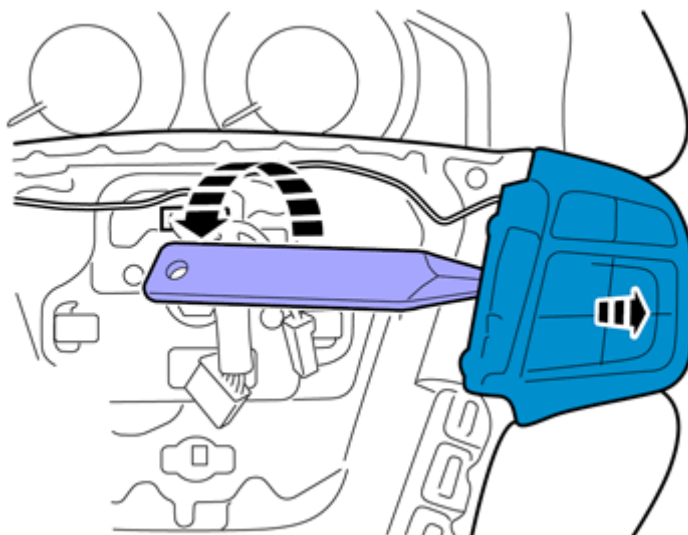
33



IMG-344733

Disconnect the connector.

34



IMG-344734

Note!

This step requires considerable force.

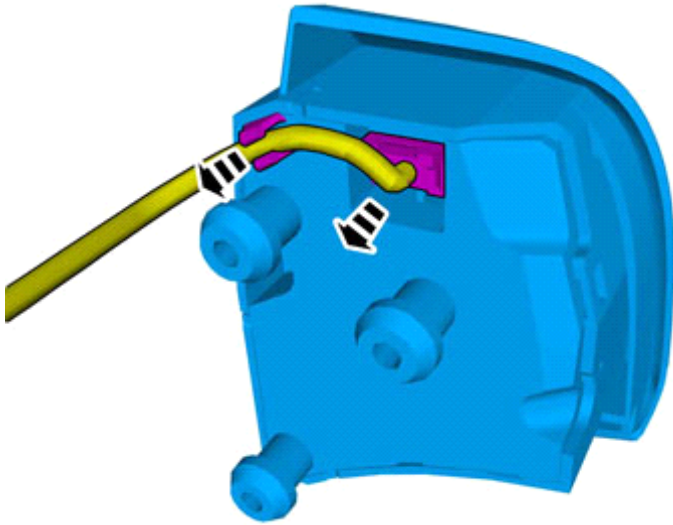
Repeat on the other side.



Installation instructions, accessories

Volvo Car Corporation Gothenburg, Sweden

35



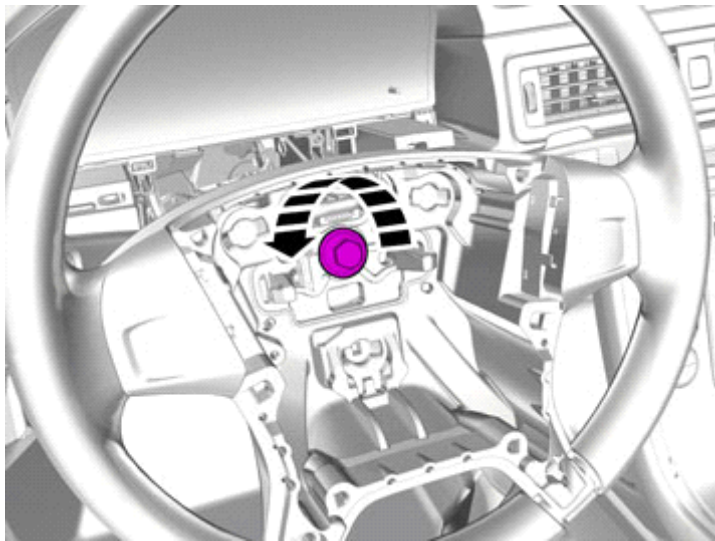
IMG-344121

Note!

The number of connectors, cables and cable ties can vary depending on the vehicle's equipment level.

Repeat on the other side.

36

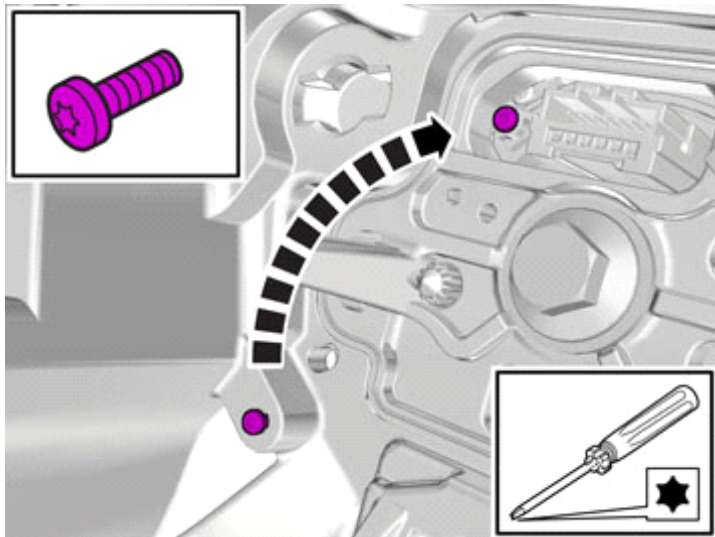


IMG-344735

Note!

Do not loosen the bolt more than 4 turns.

37



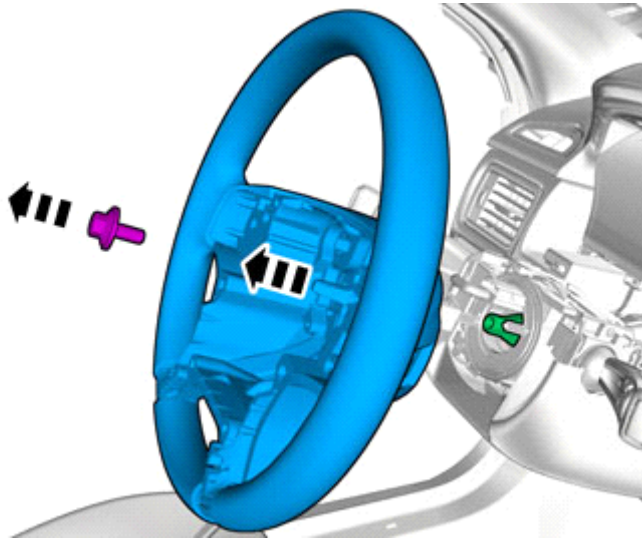
IMG-344736



Installation instructions, accessories

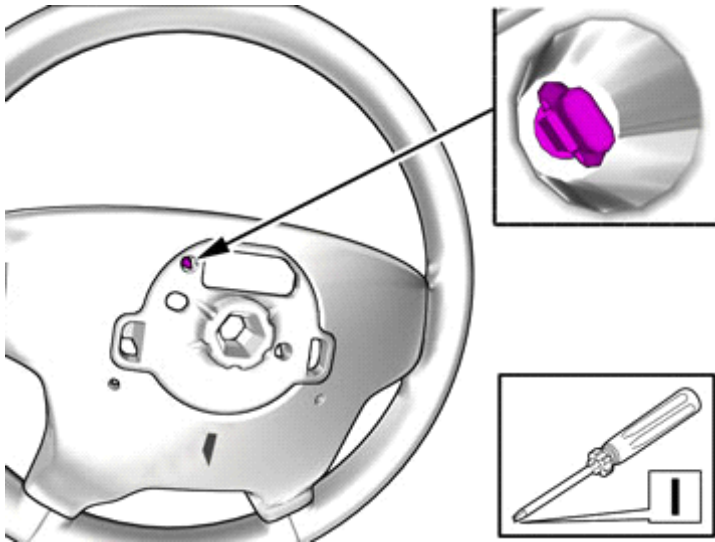
Volvo Car Corporation Gothenburg, Sweden

38



IMG-344737

39



IMG-344738

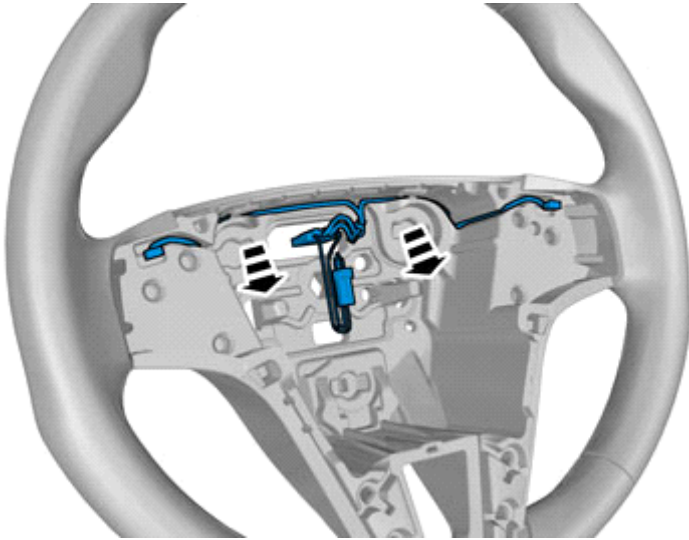
Remove the clip.



Installation instructions, accessories

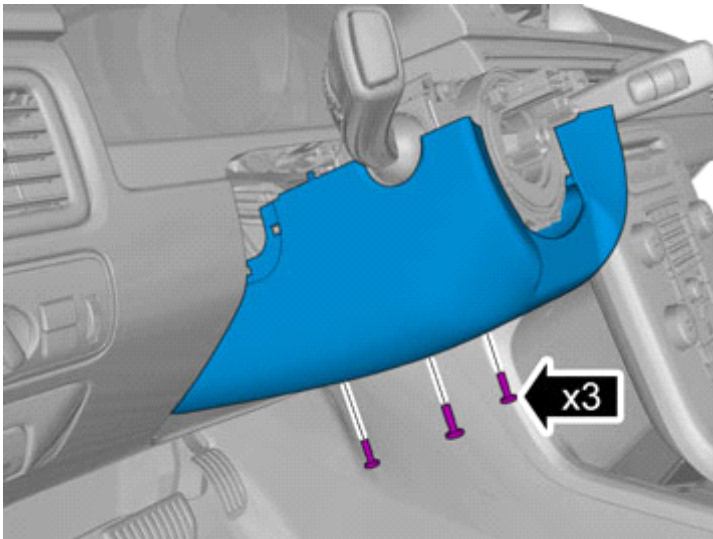
Volvo Car Corporation Gothenburg, Sweden

40



IMG-373349

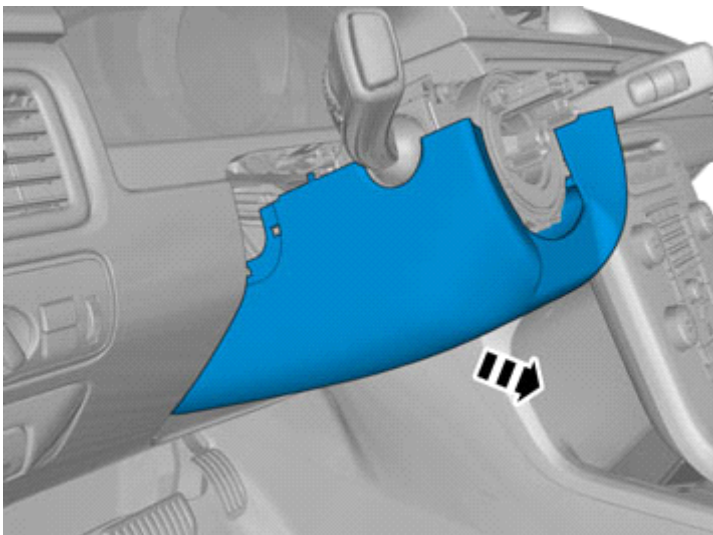
41



IMG-379149

Remove the screws.

42



IMG-379150

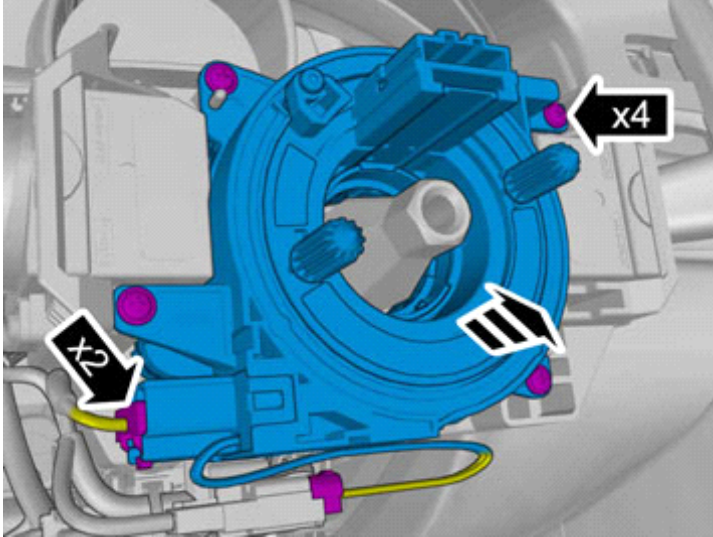
Remove the panel.



Installation instructions, accessories

Volvo Car Corporation Gothenburg, Sweden

43

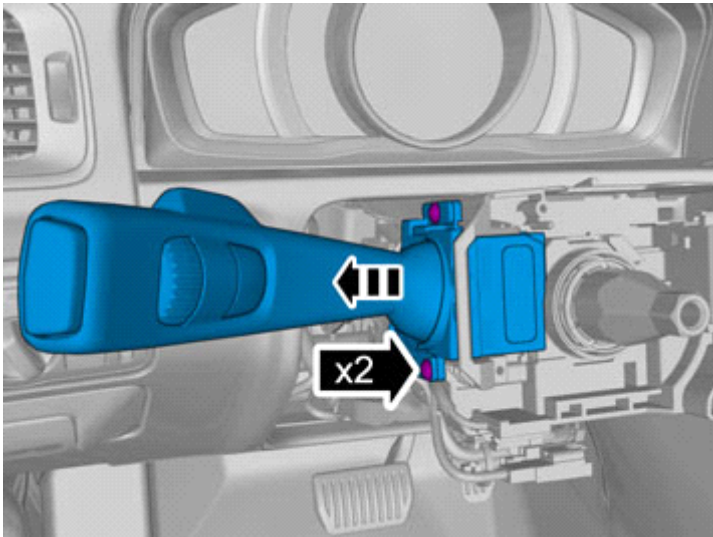


IMG-378829

Remove the screws.

Disconnect the connectors.

44

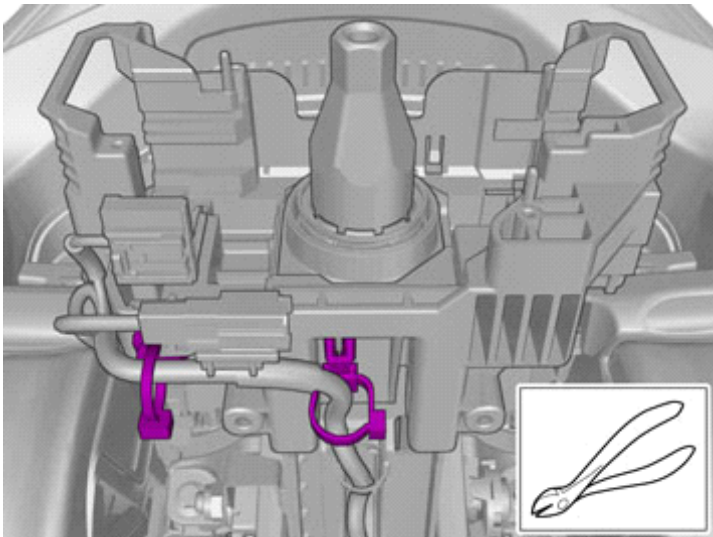


IMG-378830

Remove the screws.

Repeat on the other side.

45



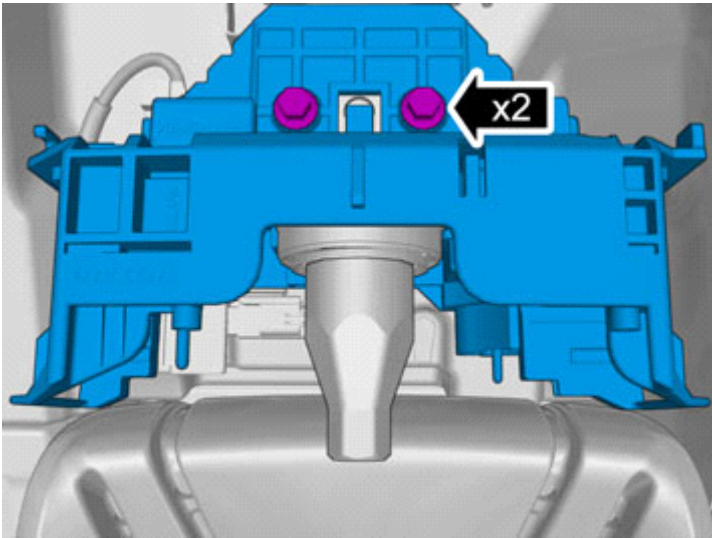
IMG-378831



Installation instructions, accessories

Volvo Car Corporation Gothenburg, Sweden

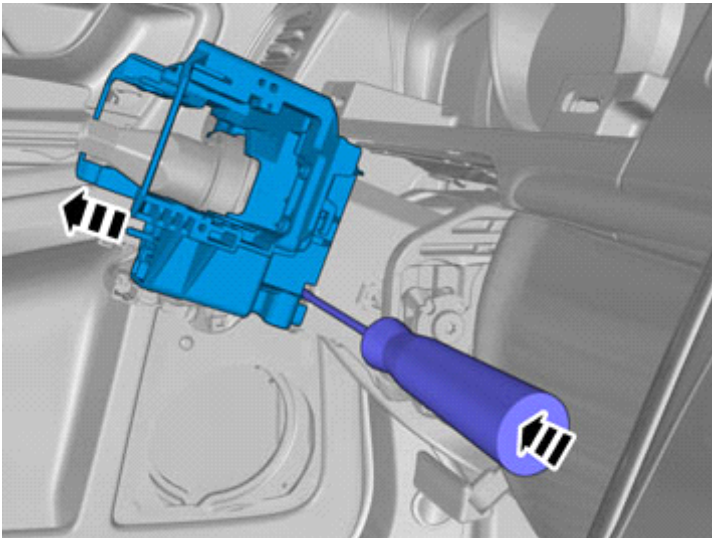
46



IMG-378855

Remove the screws.

47



IMG-378832

Release the lock.

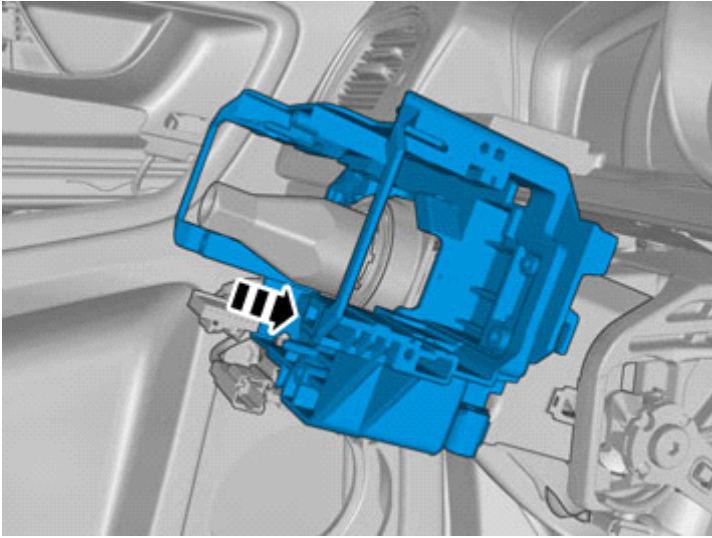
Accessory installation



Installation instructions, accessories

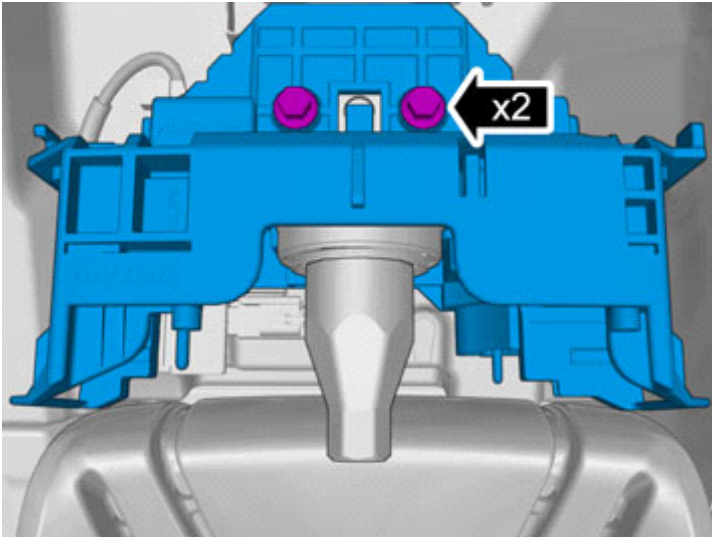
Volvo Car Corporation Gothenburg, Sweden

48



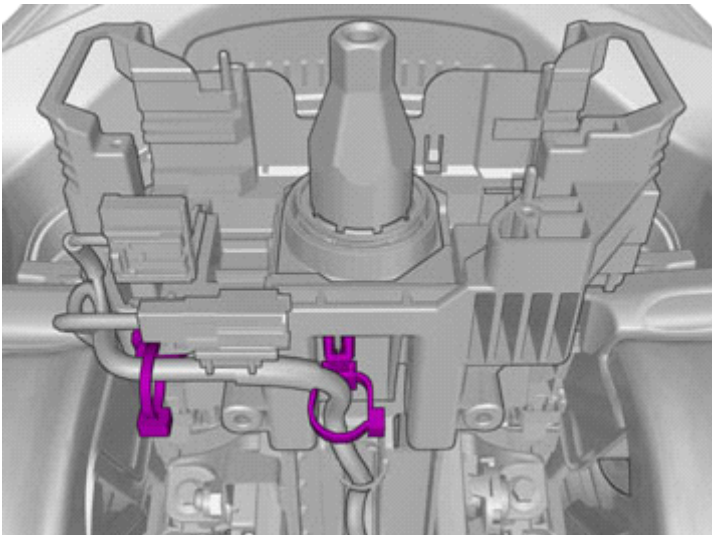
IMG-378854

49



IMG-378855

50



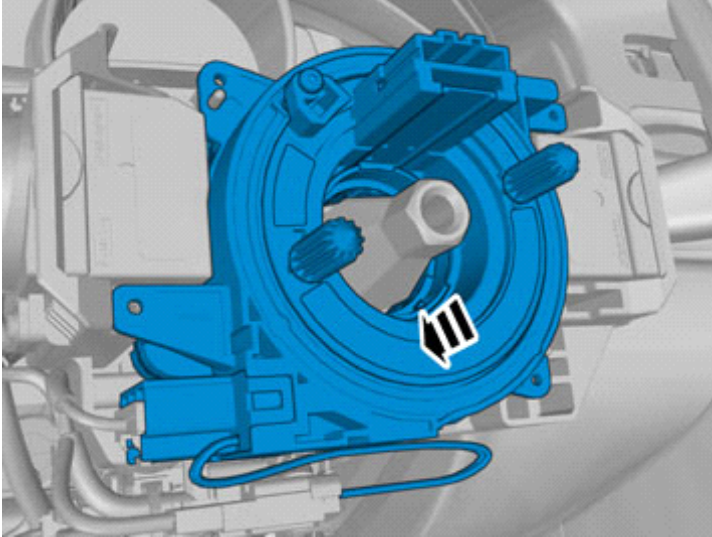
IMG-378856



Installation instructions, accessories

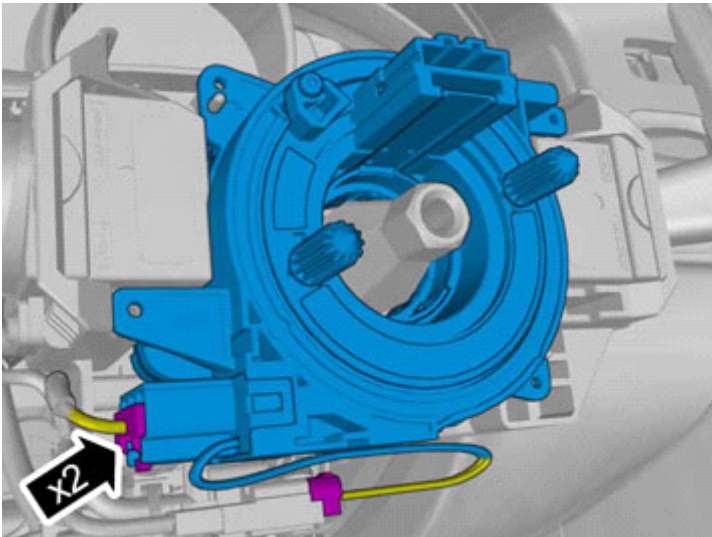
Volvo Car Corporation Gothenburg, Sweden

51



IMG-378878

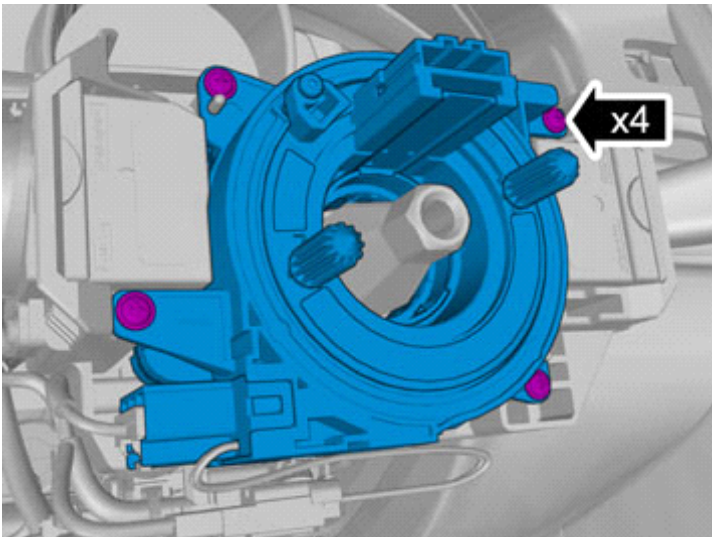
52



IMG-378852

Connect the connectors.

53



IMG-378853

Install the screws.



Installation instructions, accessories

Volvo Car Corporation Gothenburg, Sweden

Installation

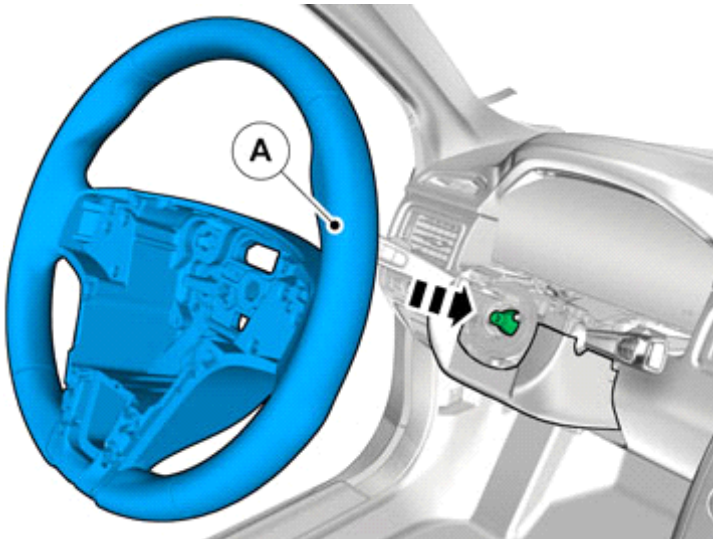
54

Reinstall the removed parts in reverse order.

IMG-377070

Accessory installation

55



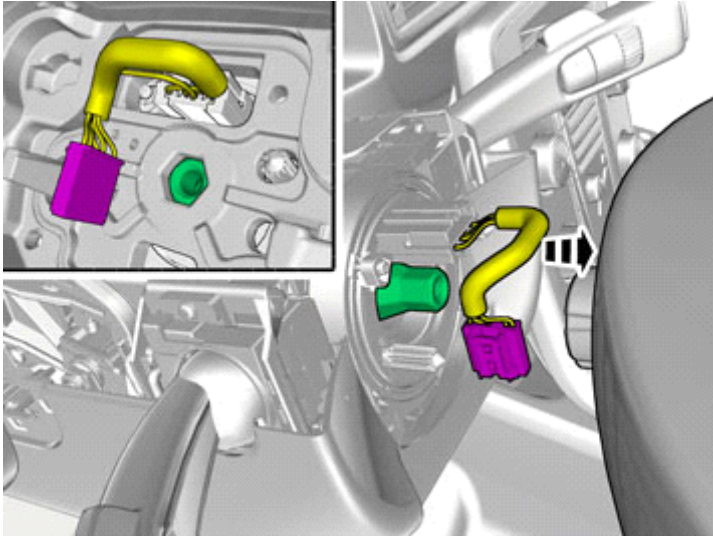
IMG-344739



Installation instructions, accessories

Volvo Car Corporation Gothenburg, Sweden

56

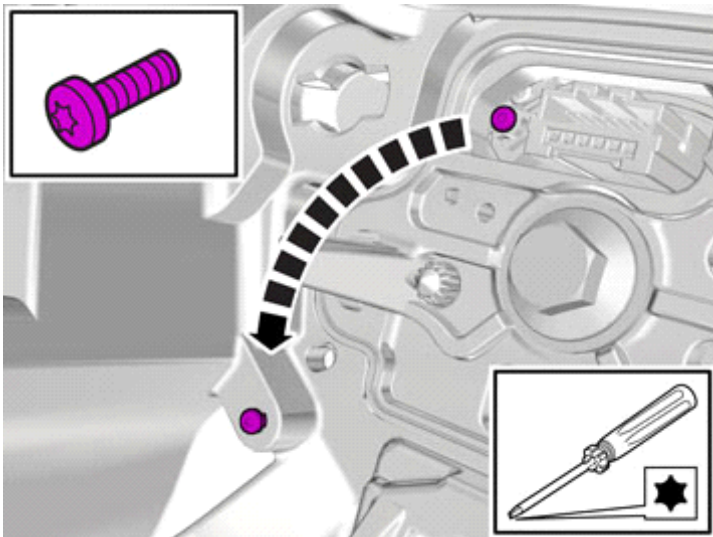


IMG-344740

Caution!

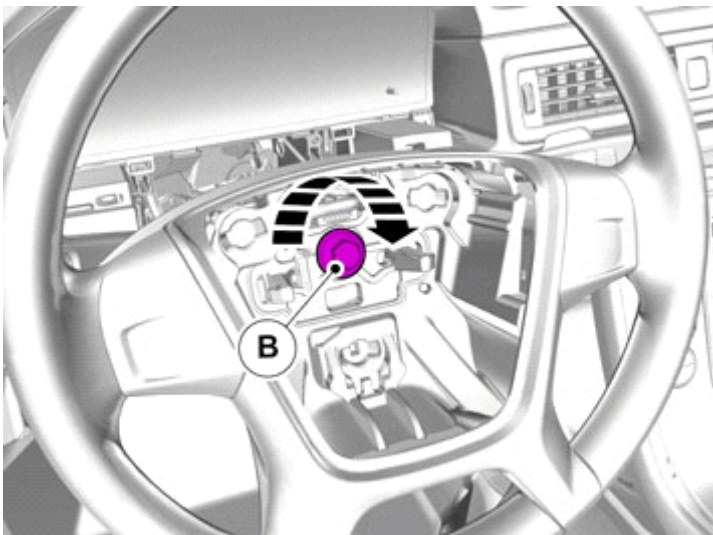
Make sure that no part of the wiring harness is trapped.

57



IMG-344742

58



IMG-344741

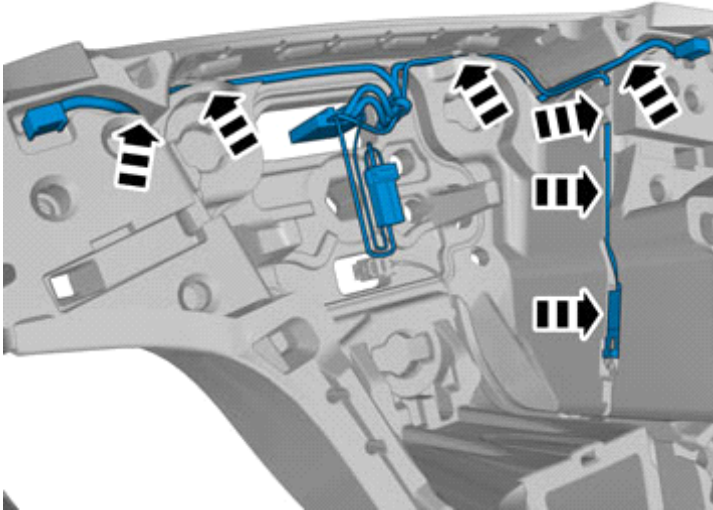
Tightening torque: M10 , 50 Nm



Installation instructions, accessories

Volvo Car Corporation Gothenburg, Sweden

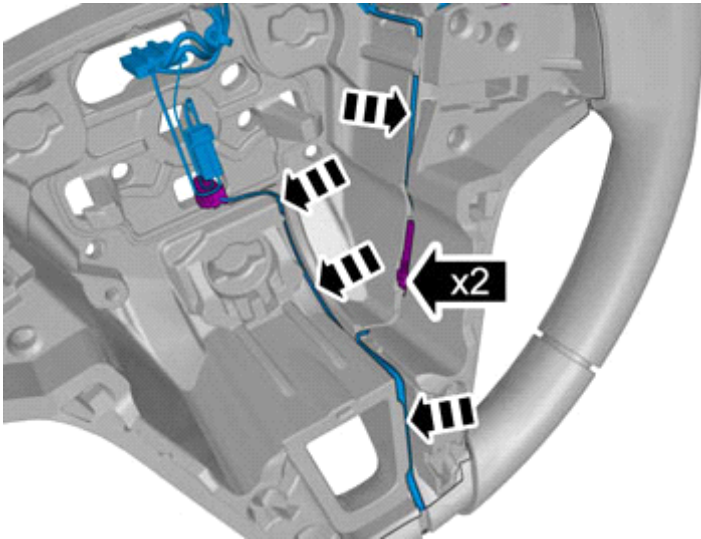
59



IMG-379199

Push up and secure the cable harness as necessary.

60

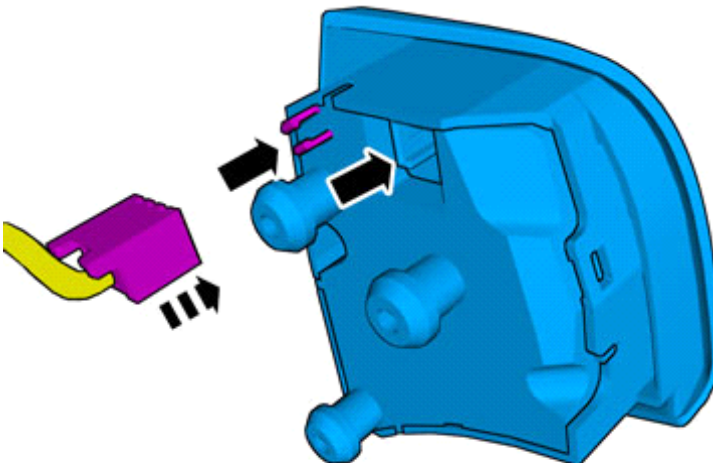


IMG-379168

Connect the prerouted cables.

Connect the connectors.

61



Repeat on the other side.

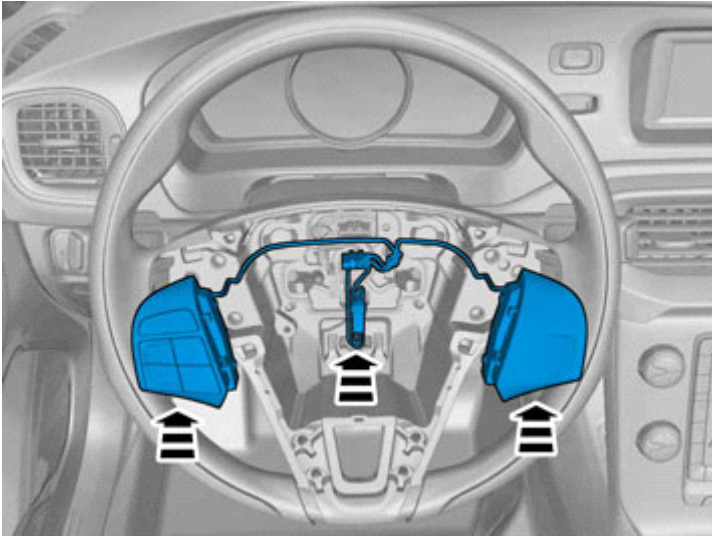
IMG-344510



Installation instructions, accessories

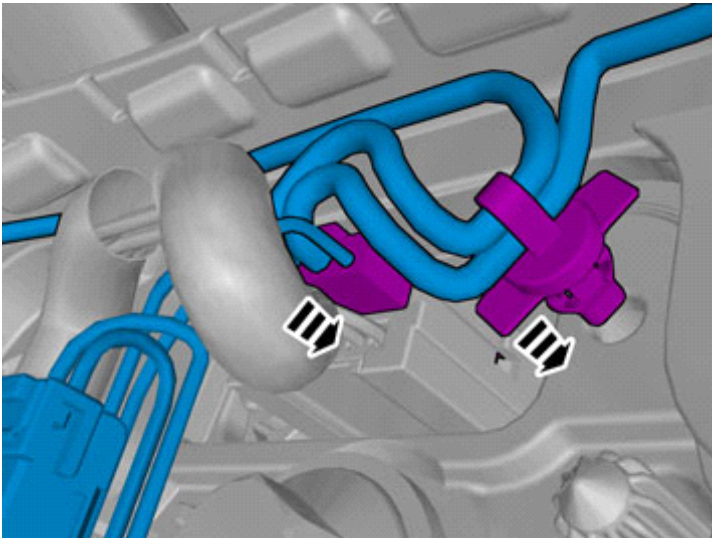
Volvo Car Corporation Gothenburg, Sweden

62



IMG-373385

63



IMG-373389

Connect the connector.

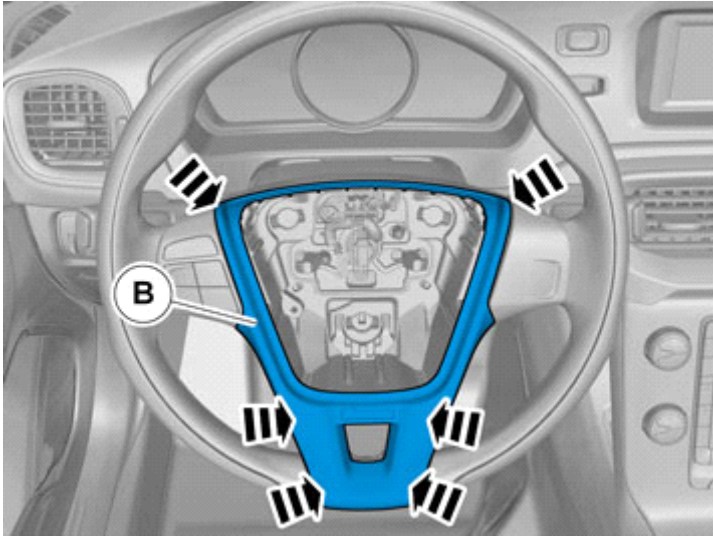
Install the clip(s).



Installation instructions, accessories

Volvo Car Corporation Gothenburg, Sweden

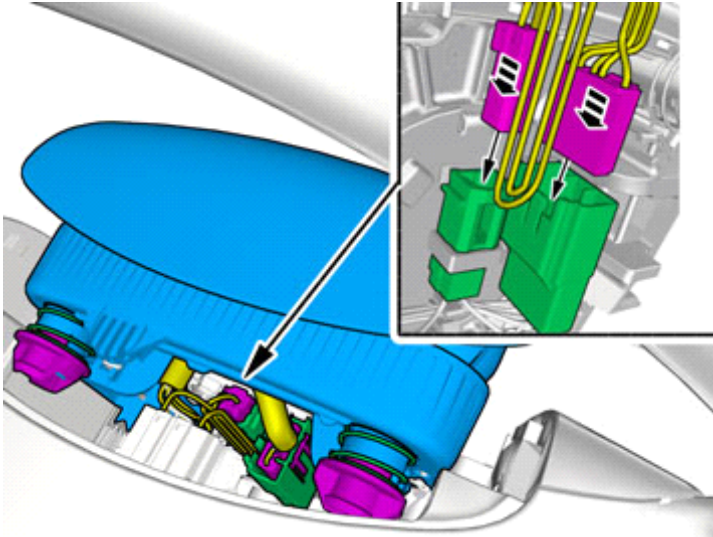
64



IMG-373388

Install the panel.

65



IMG-344748

Connect the connectors.

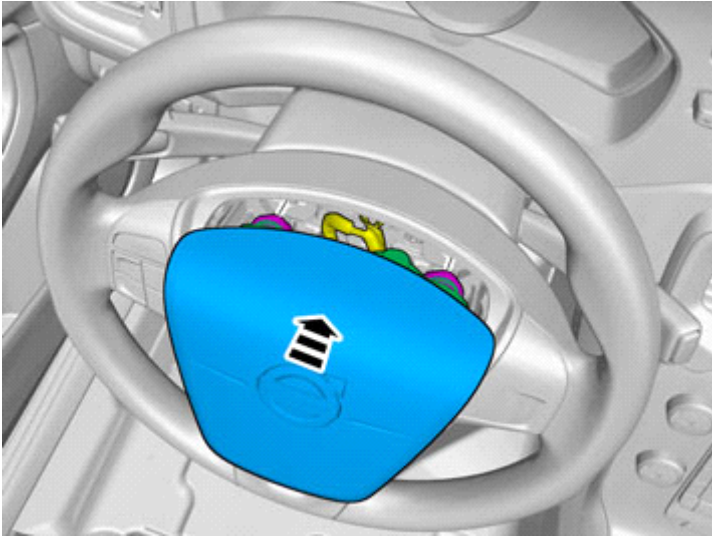
Installation



Installation instructions, accessories

Volvo Car Corporation Gothenburg, Sweden

66



IMG-349387

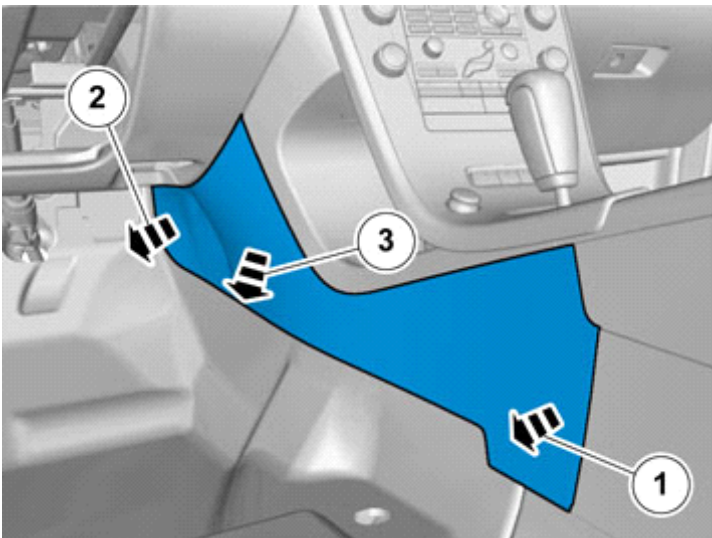
Caution!

Make sure that no part of the wiring harness is trapped.

Reinstall the removed parts in reverse order.

Removal

67



IMG-292804

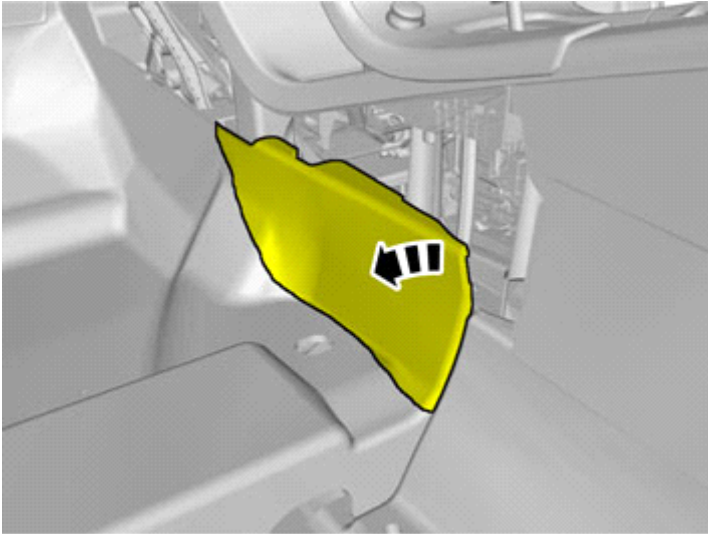
Remove the panel.



Installation instructions, accessories

Volvo Car Corporation Gothenburg, Sweden

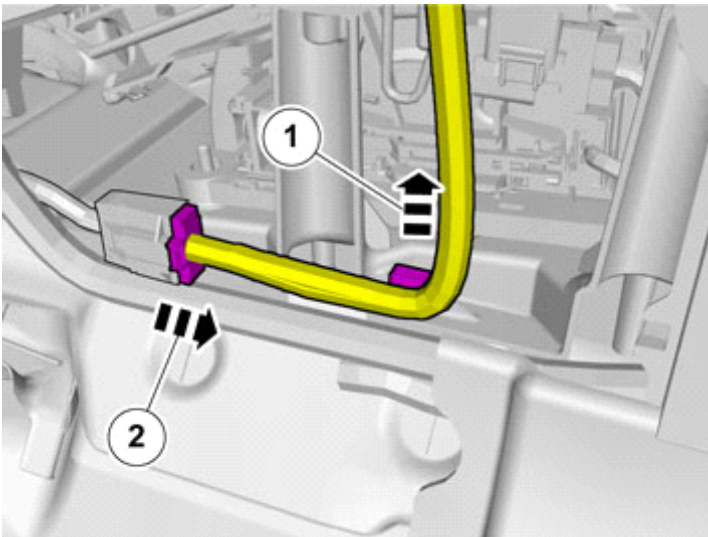
68



IMG-292806

Fold the carpet to the side.

69

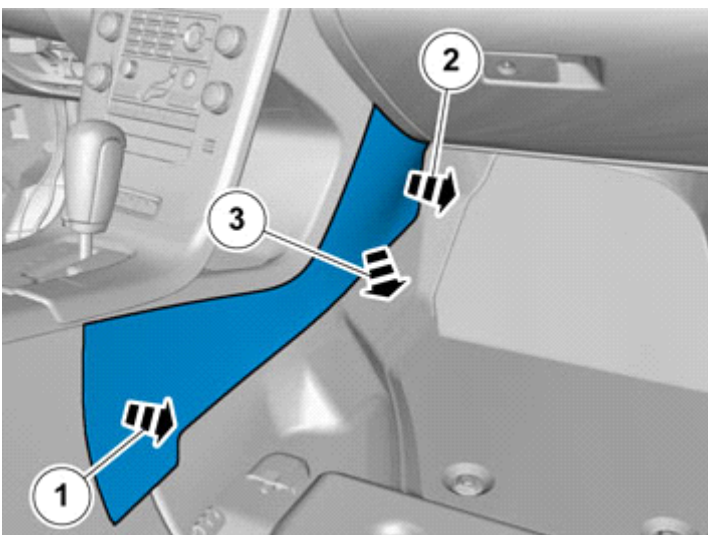


IMG-292823

Unhook the cable harness clips.

Disconnect the connector.

70



IMG-292826

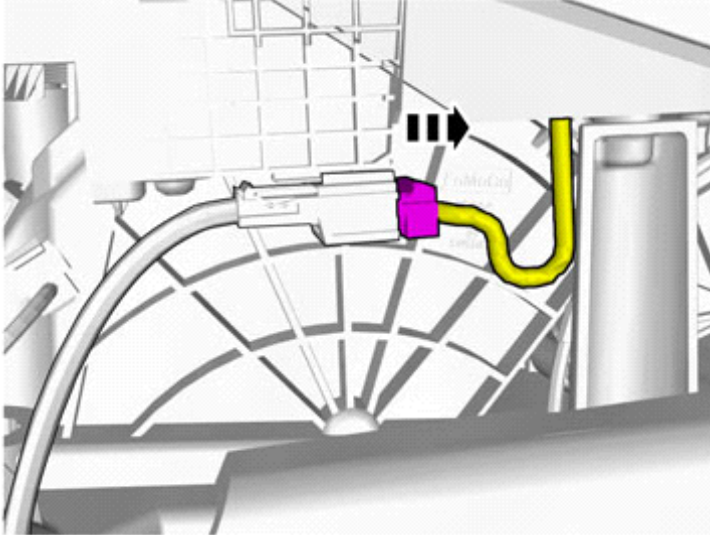
Remove the panel.



Installation instructions, accessories

Volvo Car Corporation Gothenburg, Sweden

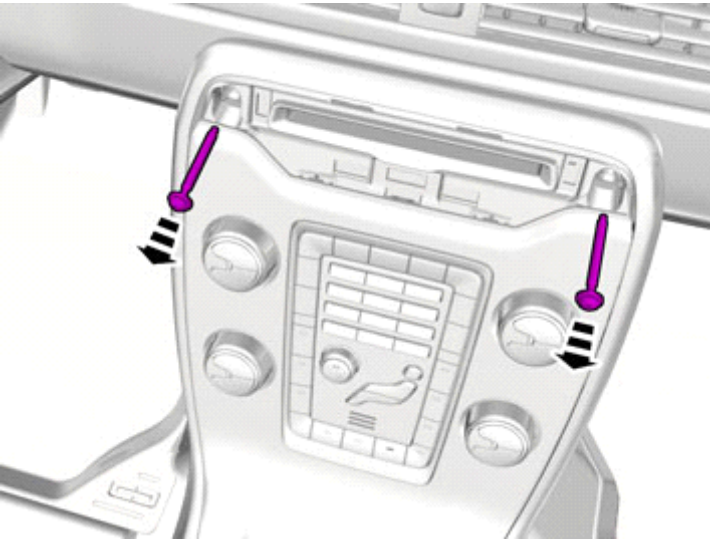
71



IMG-292827

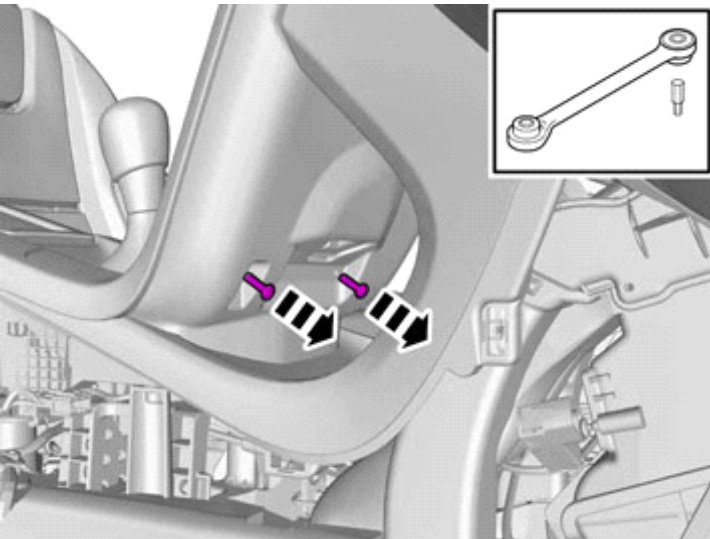
Disconnect the connector, if applicable.

72



IMG-349806

73



IMG-355818



Installation instructions, accessories

Volvo Car Corporation Gothenburg, Sweden

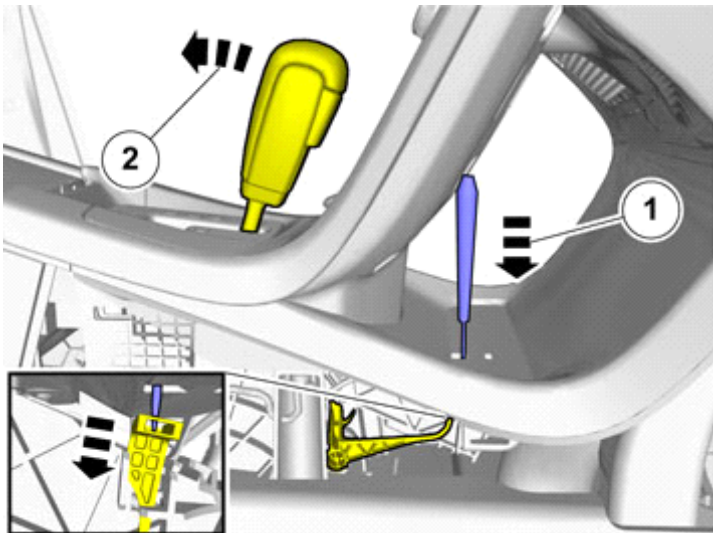
Cars with automatic transmissions

74



IMG-345283

75



IMG-293007

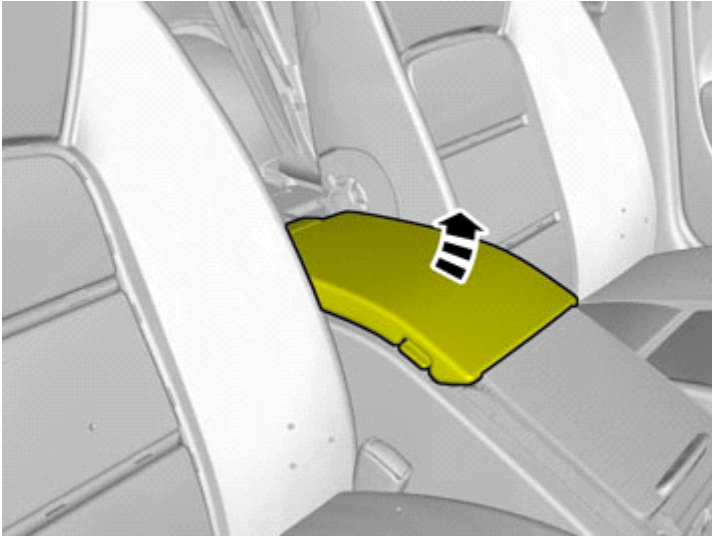
All vehicles



Installation instructions, accessories

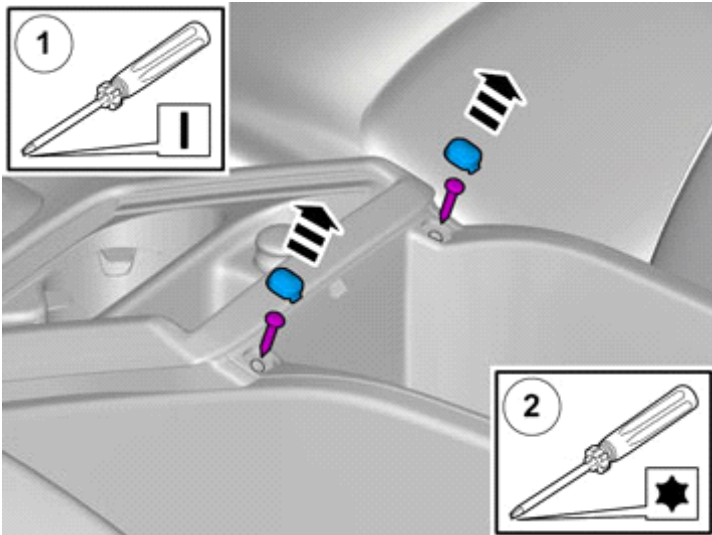
Volvo Car Corporation Gothenburg, Sweden

76



IMG-350000

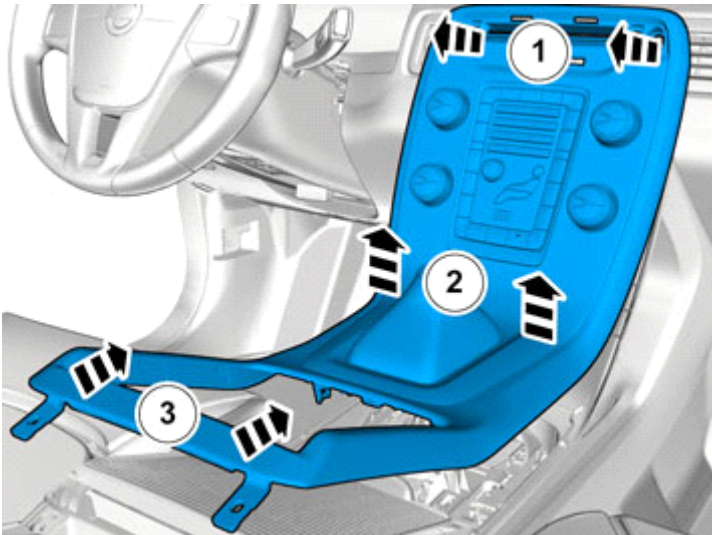
77



IMG-349811

Remove the screws.

78



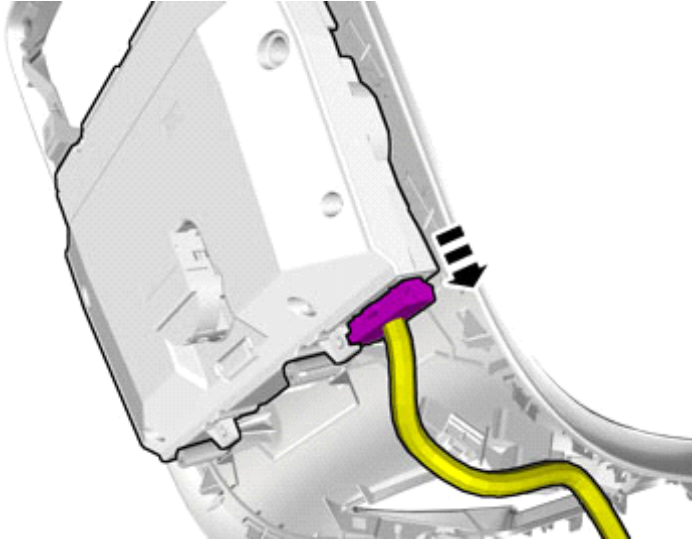
IMG-349826



Installation instructions, accessories

Volvo Car Corporation Gothenburg, Sweden

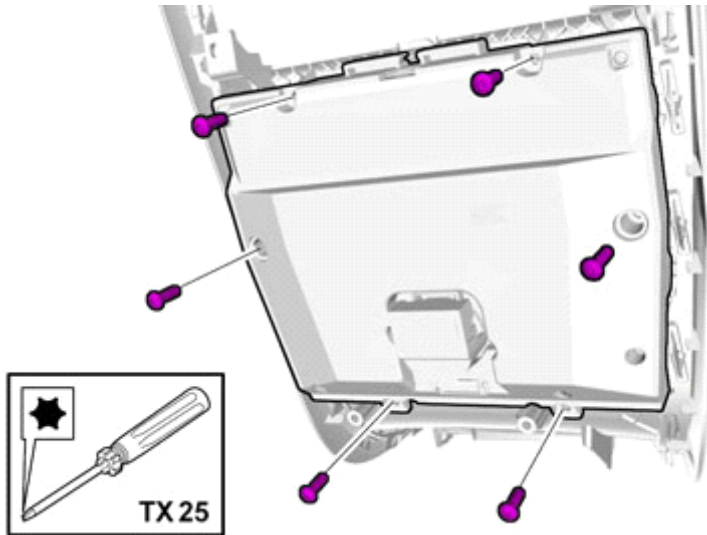
79



Disconnect the connector.

IMG-340604

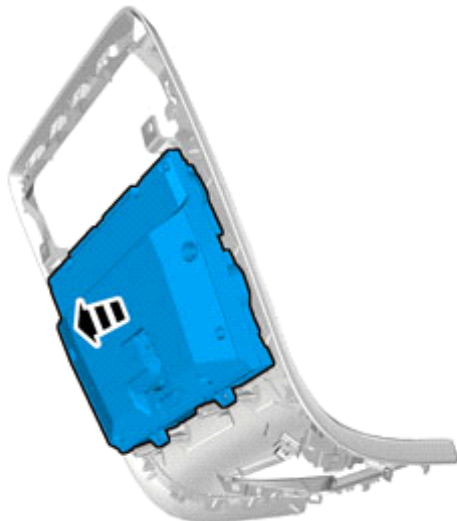
80



Remove the screws.

IMG-340605

81



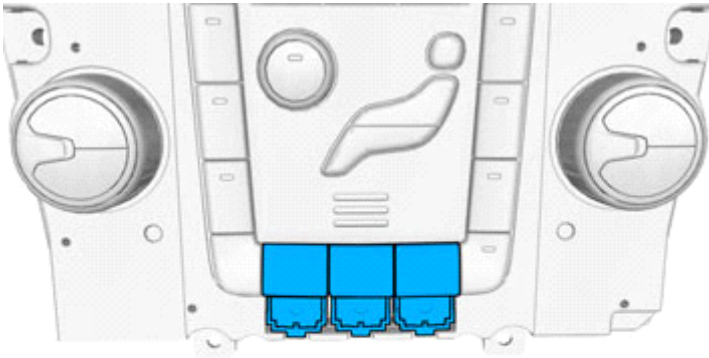
IMG-340607



Installation instructions, accessories

Volvo Car Corporation Gothenburg, Sweden

82

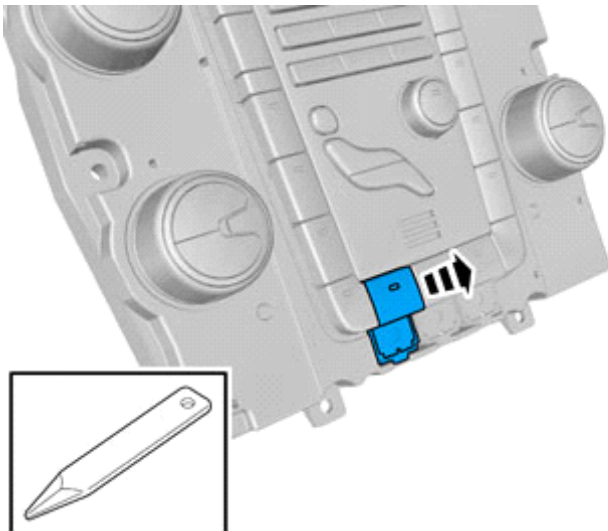


Note!
Orientation view

Select the first free position closest to the driver.

IMG-381763

83



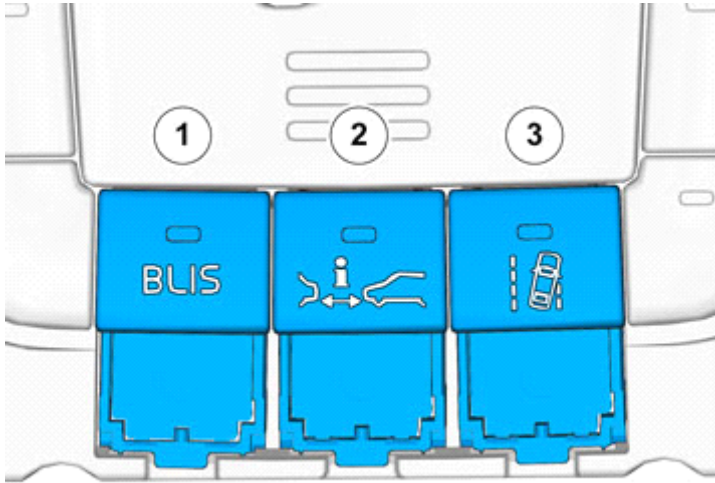
IMG-382541



Installation instructions, accessories

Volvo Car Corporation Gothenburg, Sweden

84

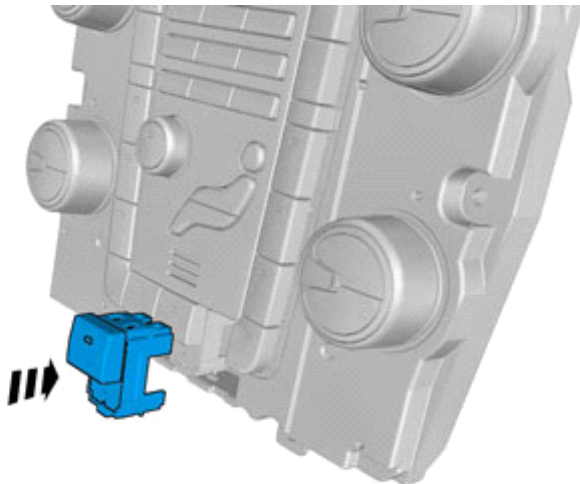


If all locations for the switch are occupied a switch with function must be removed in priority order as illustrated.

IMG-382076

Accessory installation

85



Install component that comes with the accessory kit.

IMG-382542

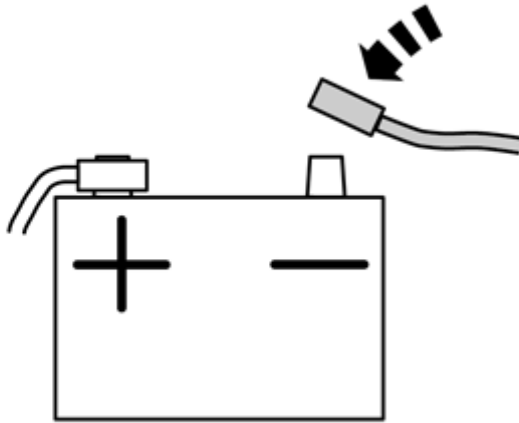
Installation



Installation instructions, accessories

Volvo Car Corporation Gothenburg, Sweden

86

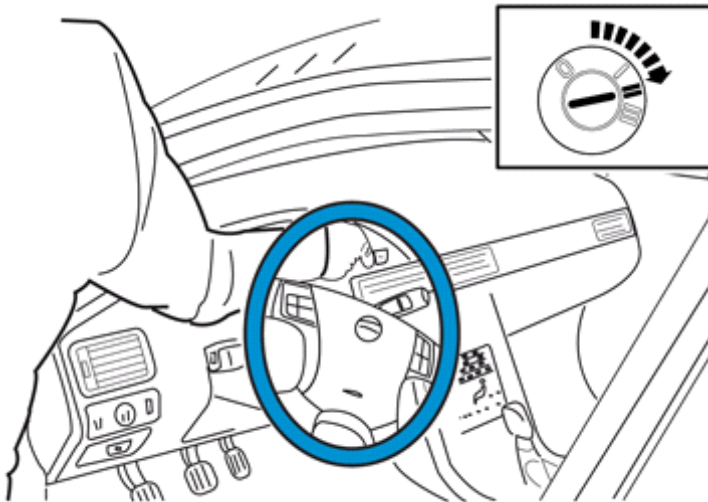


IMG-336901

Reinstall the battery's negative cable.

Reinstall the removed parts in reverse order.

87



IMG-336904

Warning!

When switching the ignition on for the first time after a battery disconnect and connect, make sure to stand outside the vehicle and only reach into the vehicle keeping clear of the air bag deployment areas.

88

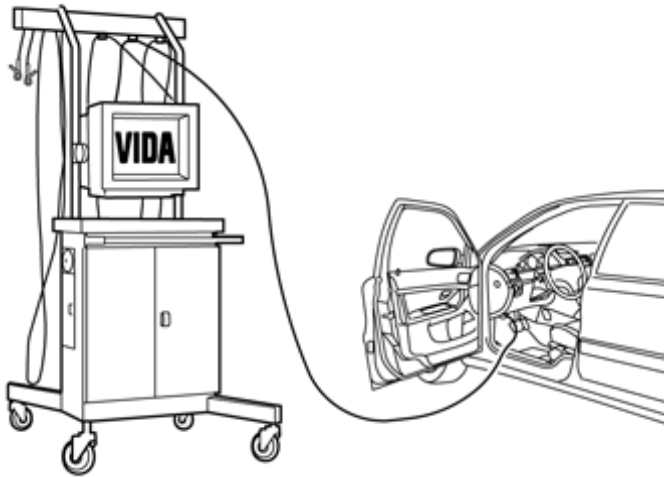
VIDA

IMG-275777



89

Order and download software according to: 30773417



IMG-242268

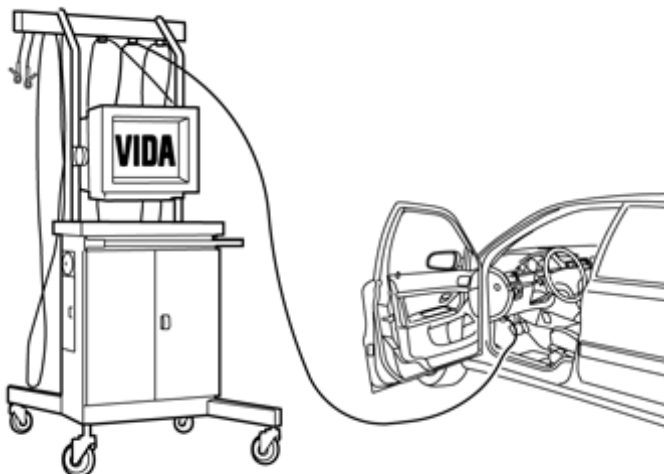
90

VIDA

IMG-275777

91

Order and download software according to: 31373844



IMG-242268



Installation instructions, accessories

Volvo Car Corporation Gothenburg, Sweden
